

Model : TTS300 series

# TRIPOD TURNSTILE

STAINLESS STEEL TRIPOD TURNSTILE

Economical pedestrian access control for residential, industrial and commercial applications



## TTS330

Standard turnstile  
with controller



**MAG** TTS300 is a series of electro mechanical turnstiles. Its unique mechanical drive design allow the arm to be pushed effortlessly and auto-rotate back without any expensive electric motor. Sturdy rock solid internal mechanical parts design maximize its durability for industrial usage.

**MAG** TTS300 series can effectively control high volume human traffic ( up to 25 person per minutes ) while still maintaining a welcoming atmosphere. They can easily be integrated with any electronic system for ticketing, access control or time attendance.

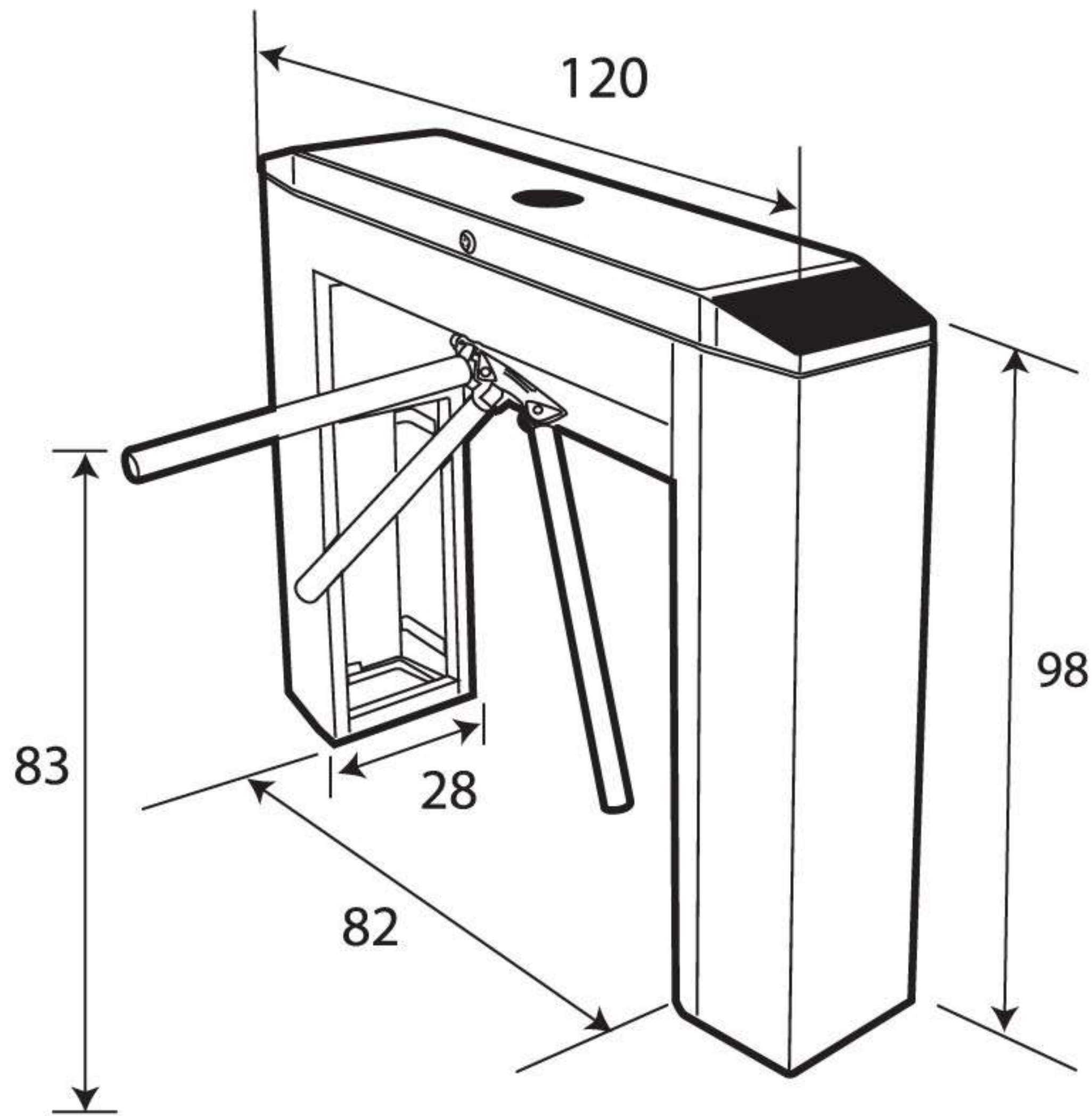
**MAG** TTS300 series is suitable for indoor. They are optimized economical solution for railway, bus station, factory, colleges, commercial building, library, stadium, game park, bank and etc.



## TTS310

Mini turnstile  
with controller

## TTS330

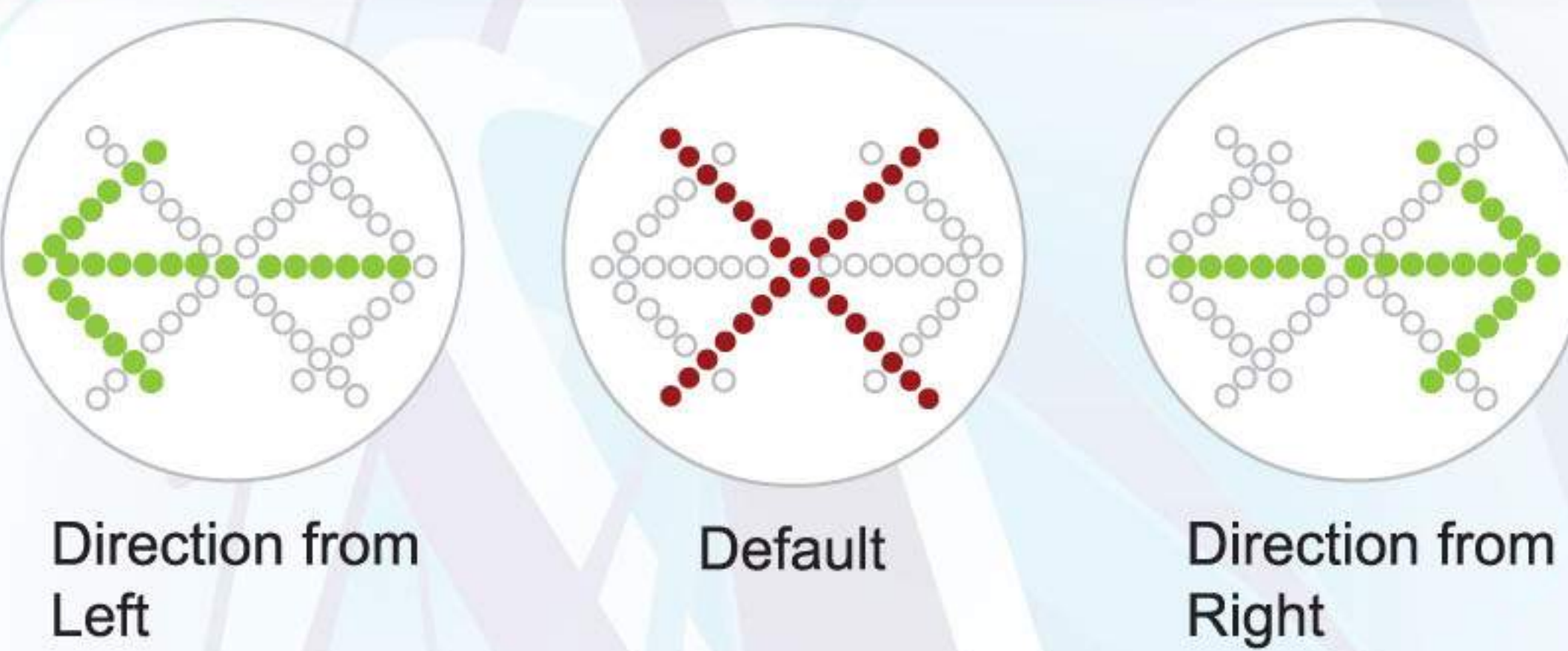


all measurements are in cm unit

- ✓ Mechanical drive unit with solenoid locking mechanism eliminate the use of expensive electric motor. This allow TTS300 to be more economical system. All parts is modular and easy to be changed during maintainance.
- ✓ If arm rotated more than half, it will auto-rotate to the next idle position. If arm rotated less than half, it will auto-rotate back to the current idle position.
- ✓ Built in adjustable tensioner to control rotation force to minimize over rotation. Arm just need to be pushed lightly to rotate therefore even elderly or children are able to use the turnstile. Tensioner will always push the arm back to home position.
- ✓ Turnstile can be configured to be bi-directional or uni-directional. Housing is locked to avoid tampering.

### Controller support following functions:

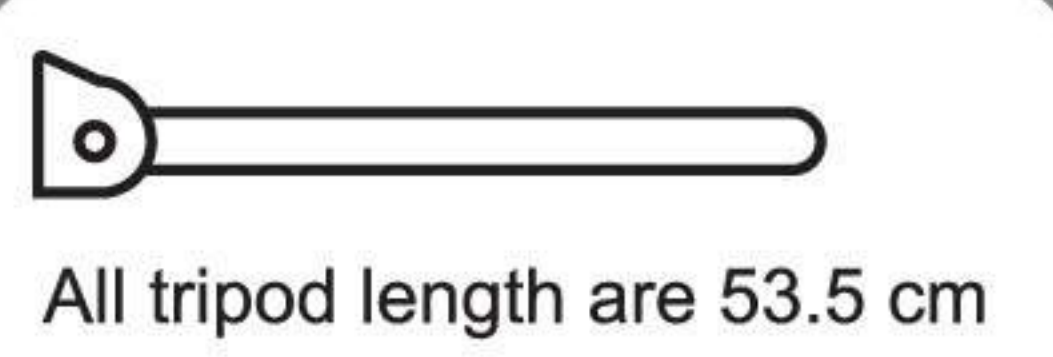
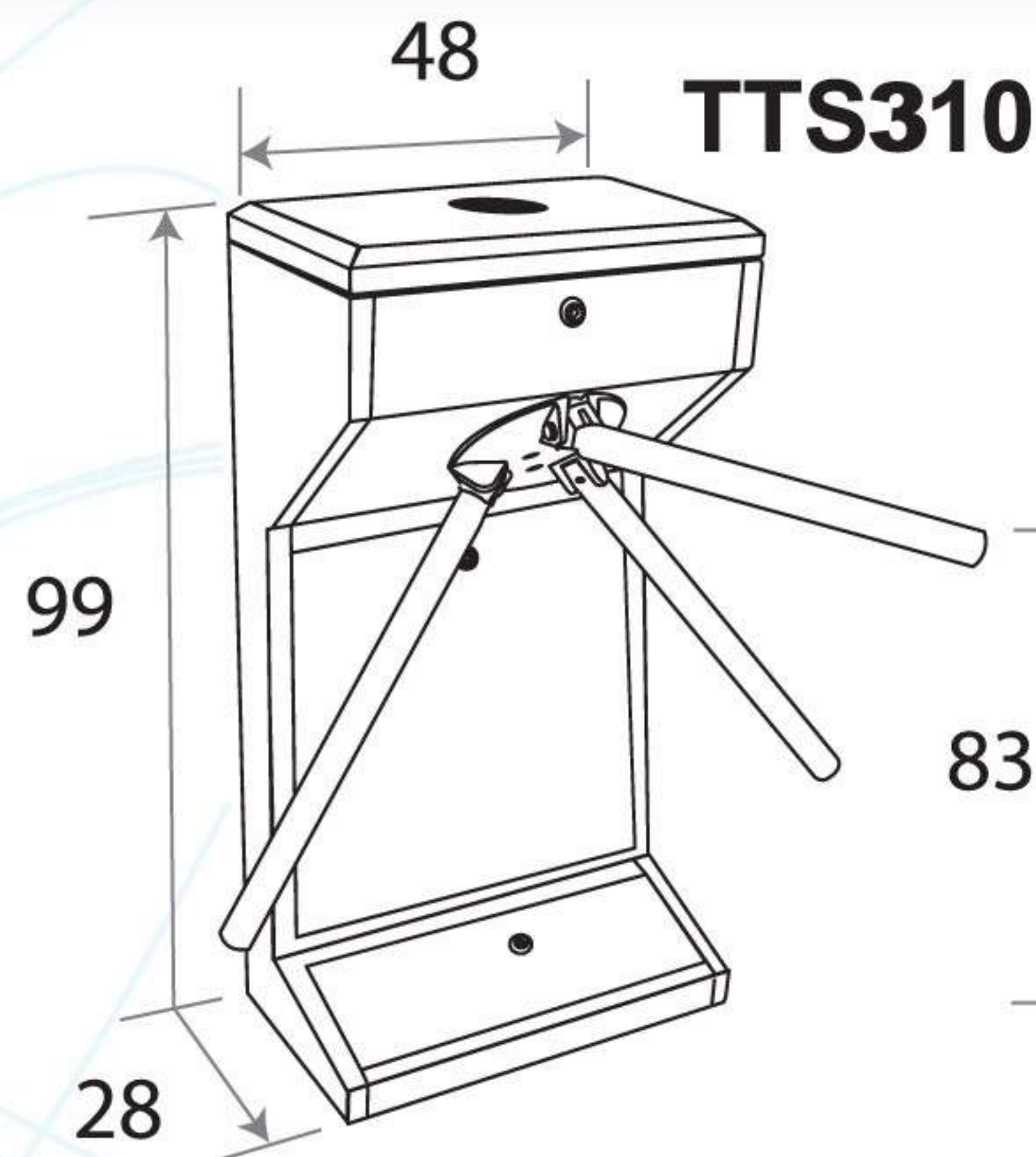
Anti-tailgating. Smart lock mechanism effectively allow only one person to pass through at a time. Support pre-set lock time delay. During power failure, arm will drop automatically allowing free pass through. LED to indicate bi-direction and no access.



Direction from Left

Default

Direction from Right



\* all measurements are in cm unit

### Technical specification:

Description	Specification
Power supply	AC230V ± 10V
Power consumption	Idle 16W Operating 38W
Response time	0.3 sec
Pass speed	25 person per min



Secure



Safe, emergency escape  
Drop arm during power failure.



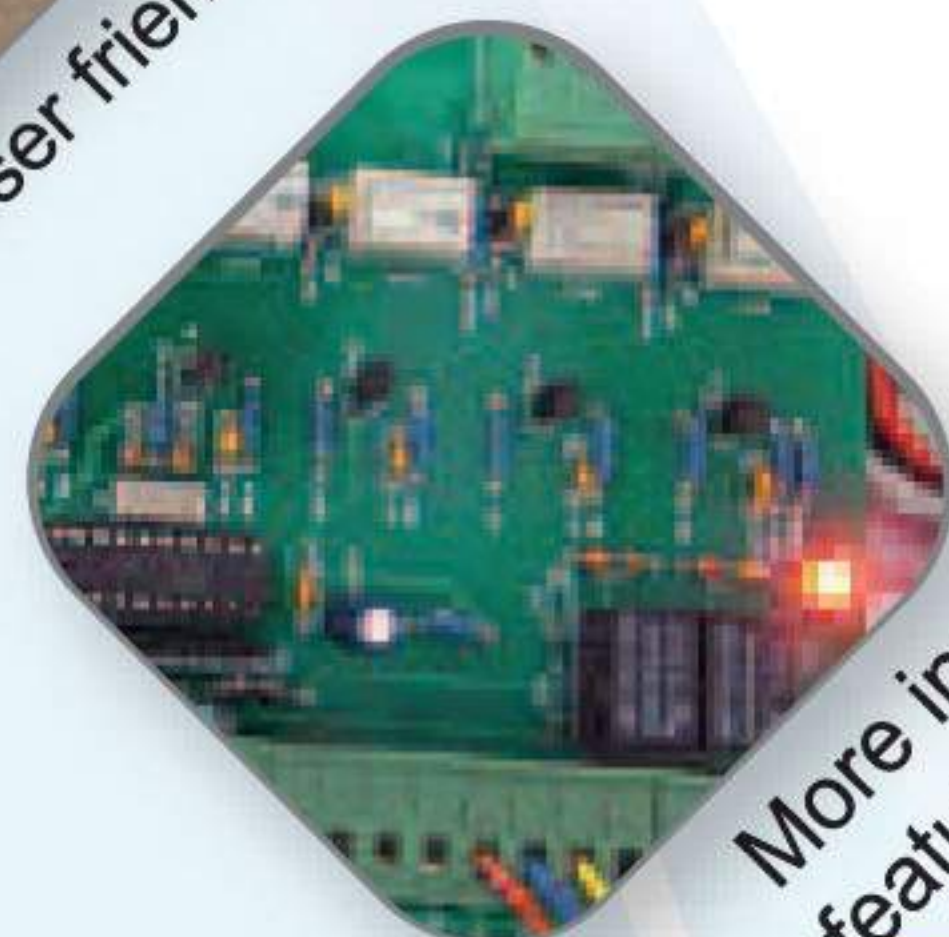
Built in acrylic plate  
for easier device integration



User friendly



Additional storage  
space



More innovative  
features with controller

POWER by



Authorized dealer