

SWB100

Pedestrian Automatic Swing Barrier



Date: 12 May 2014, Revision: V1

General Description

MAG SWB100 is an automatic motorized stainless steel swing barrier. SWB100 has smallest installation footprint while offering widest opening clearance to allow big boxes, trolley, wheelchair, baby stroller or user with big luggage to pass through with comfort. Swing barrier compact size help to save space and can fit into narrow places.

Application

SWB100 is typically used together with flap barrier or turnstile as manual lane for handicapped user or user with big luggage.

SWB100 is for indoor usage only.

Features

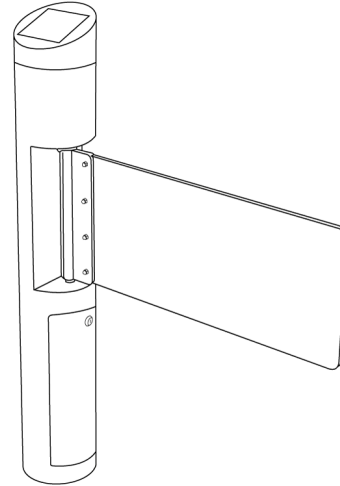
Support bi-directional opening

Can integrate with access control system.

Trigger to open by dry contact. Automatic close back after auto timer elapsed. Delay time can be programmed on swing barrier control panel.

Trigger to open by dry contact (NC) and close by dry contact (NO). This allowed access control reader to control swing barrier opening and closing time.

During power failure, swing barrier will automatically open up to allow free access. When power resume, swing barrier will automatically close back to resume security level.



Built in clutch that will automatically disengage motor drive from gearbox when the gate is obstructed. Clutch release reduce impact force to minimum in the event that gate closed onto passing users. This also protect the motor and control panel from being damaged due to overload.

Optional safety IR beam can be added to auto reverse the gate upon detecting obstacle in the passage way. This way the gate is reversed before even hitting user that is still in the passage way. More safety to the user.

Gate length can be easily customized to fit site requirement.

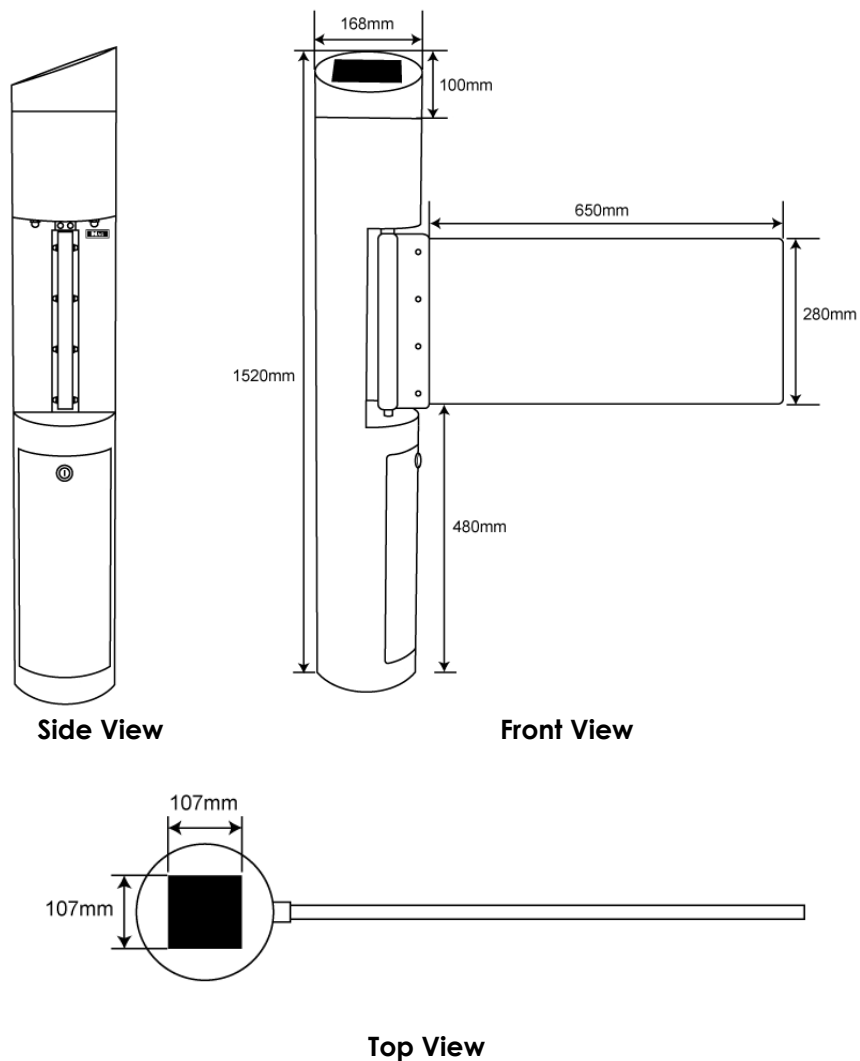
Auto synchronized opening when 2 swing barriers are installed for the same passage. Both side will open and close at the same time

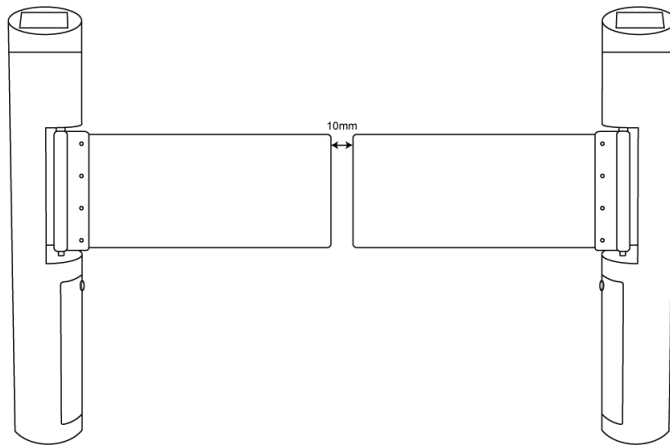
Gate motor mechanism is self lock at open and close position.

Technical parameter

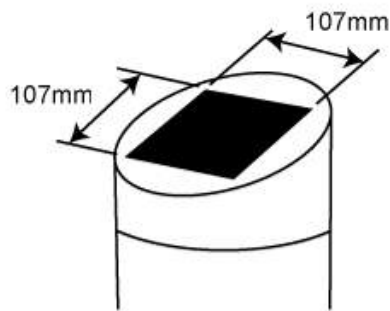
| Description | Parameter |
|--|---------------------------------|
| Cabinet dimension | 168 mm (Diameter) x 1520 mm (H) |
| Weight | 30 kg |
| Default gate length (transparent arylc) | 650 mm |
| Cabinet material | # 304 stainless steel, 2.0 mm |
| Power supply | AC220 \pm 10%V/50 \pm 10%HZ |
| Motor voltage | DC 24V (brush motor) |
| Access device input voltage | dry contact |
| Max flow rate | 20 to 25 people per minute |
| Gate swing angle | 180 deg |
| Gate opening speed | 2.2 sec |
| Reset time when power on | 3s |
| Working environment | Indoor only |
| Working temperature | -25°C - 50°C |
| Relative humidity | \leq 90% |

Dimension Specification





Front View



Acrylic plate (reading area) dimension

Ordering info

Swing barrier model:

SWB100

Accessories:



Safety photo beam : EQ501

Authorized dealer:



Disclaimers

Applications that are described herein for any of these products are for illustrative purposes only. Drawing does not necessary reflect exact assembly/installation. MAG makes no representation or warranty that such applications will be suitable for the specified use without further testing or modification.

MAG reserves the right to make changes, without notice, in the products, including circuits, standard cells, and/or software, described or contained herein in order to improve design and/or performance. MAG assumes no responsibility or liability for the use of any of these products, conveys no license or title under any patent, copyright, or masks work right to these products, and makes no representations or warranties that these products are free from patent, copyright, or mask work right infringement, unless otherwise specified.

© MAG. All rights reserved. Date released: 12 May 2014