

Model : TTS450 series

TRIPOD TURNSTILE

MOTORIZED TRIPOD TURNSTILE

Automated pedestrian access control for residential, industrial and commercial applications



TTS450 is evolution from manual tripod turnstile that performs more ideal pedestrian control and a refreshing entrance access experience.

TTS450 retain same durable design of manual turnstile while integrating advanced precise motor to fully automate turnstile functionality. They allow pedestrian to just push the arm lightly and it will rotate automatically allowing passage. Access control and time attendance reader can be integrated to improve accuracy of reporting.

TTS450 is ideal indoor solution for railway platform, passenger terminal, ferry, airports, checkpoints, factories, stadium, lift lobby of commercial, industrial or government building.

Motorized turnstile give a more premium and organized entrance to your building.

Integrated Smart Motor

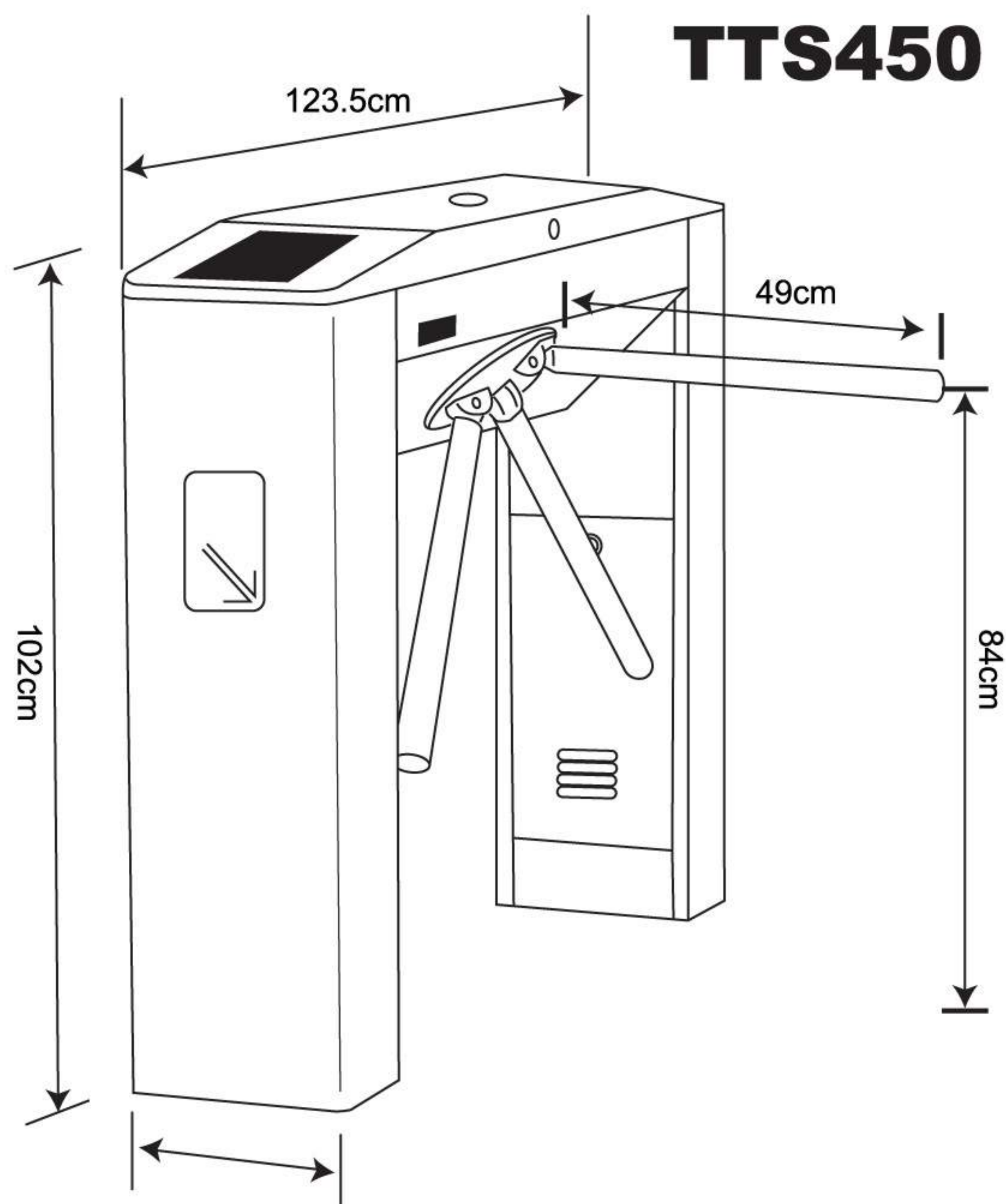


Acrylic Bracket to Mount Reader



Bigger Reading Area

TTS450

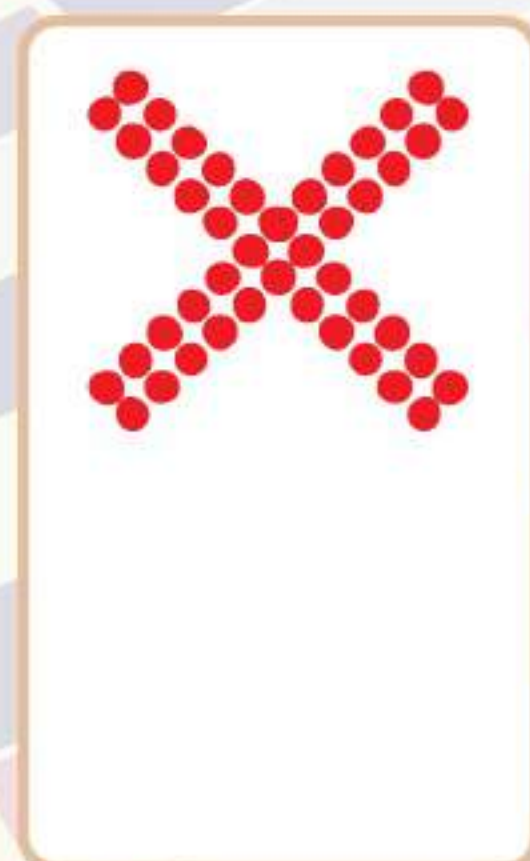


all measurements are in cm

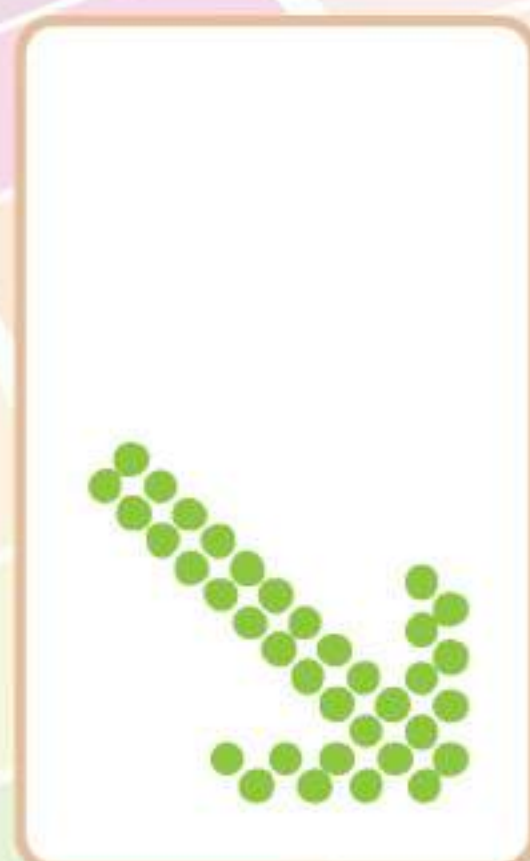


All tripod length are 49 cm

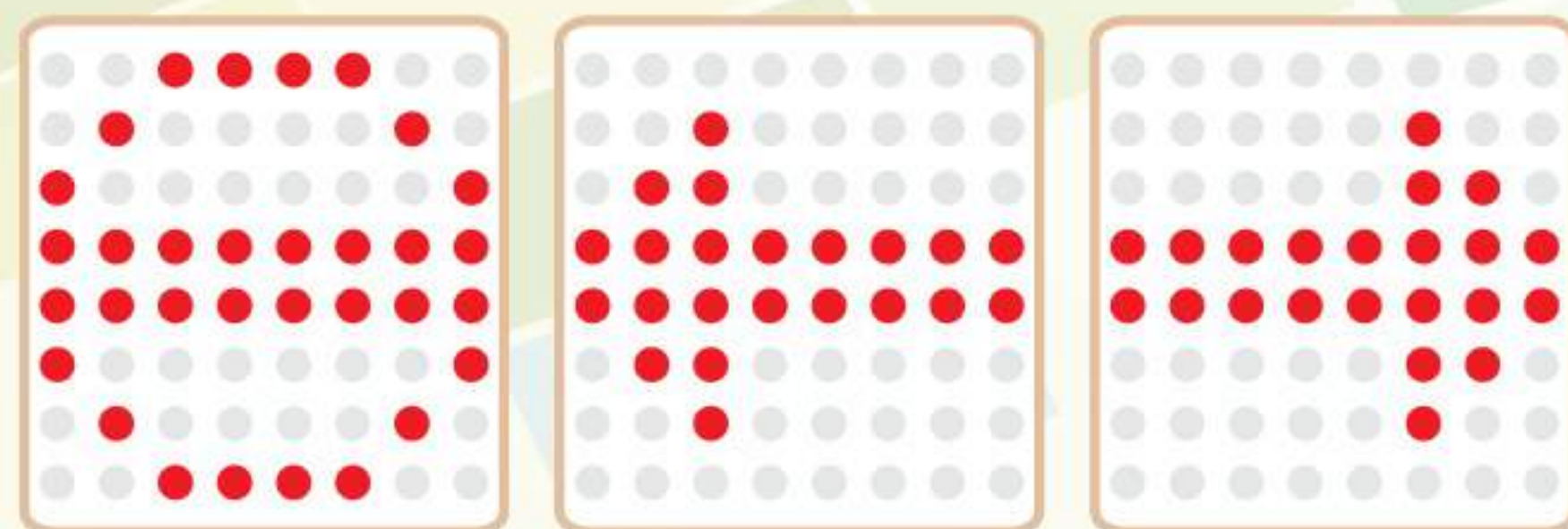
LED display patern:



Prohibit Entry



Allow Passage



Top coner to indicate approved access direction

Technical specification:

Description	Specification
Power supply	AC230V ± 10V
Power consumption	Idle 16W Operating 38W
Rotating speed of the motor	850 round/min
Pass speed	25 ~32 person per min

All specification is subject to change without prior notice.

Motorized

Integrated Smart Motor design allow turnstile to run smoother and more quiet compared to manual turnstile. Arm will rotate by itself with just a small push by hand. MAG uses electronic optical sensor instead of mechanical limit switch to reduce mechanical maintainance so that TTS450 can work longer and work harder for you

Self centering

Arm will always automatically rotate back to home position to avoid stopping halfway. This elliminate any risk or opportunity for unau-thorized visitor to sneak in.

Bi-directional

Motorized tripod turnstile can be set to bi-directional passing or uni-directional passing to maximize flexibility. LED display on both side can be set to show arrow or cross as indication to allow pass-ing through or not.

Secure

Smart lock mechanism in the motor effectively ensure that only 1 person to pass through at a time. Motor does not allow multiple arm rotation from a single pass therefore eliminating any tailgating attempt.

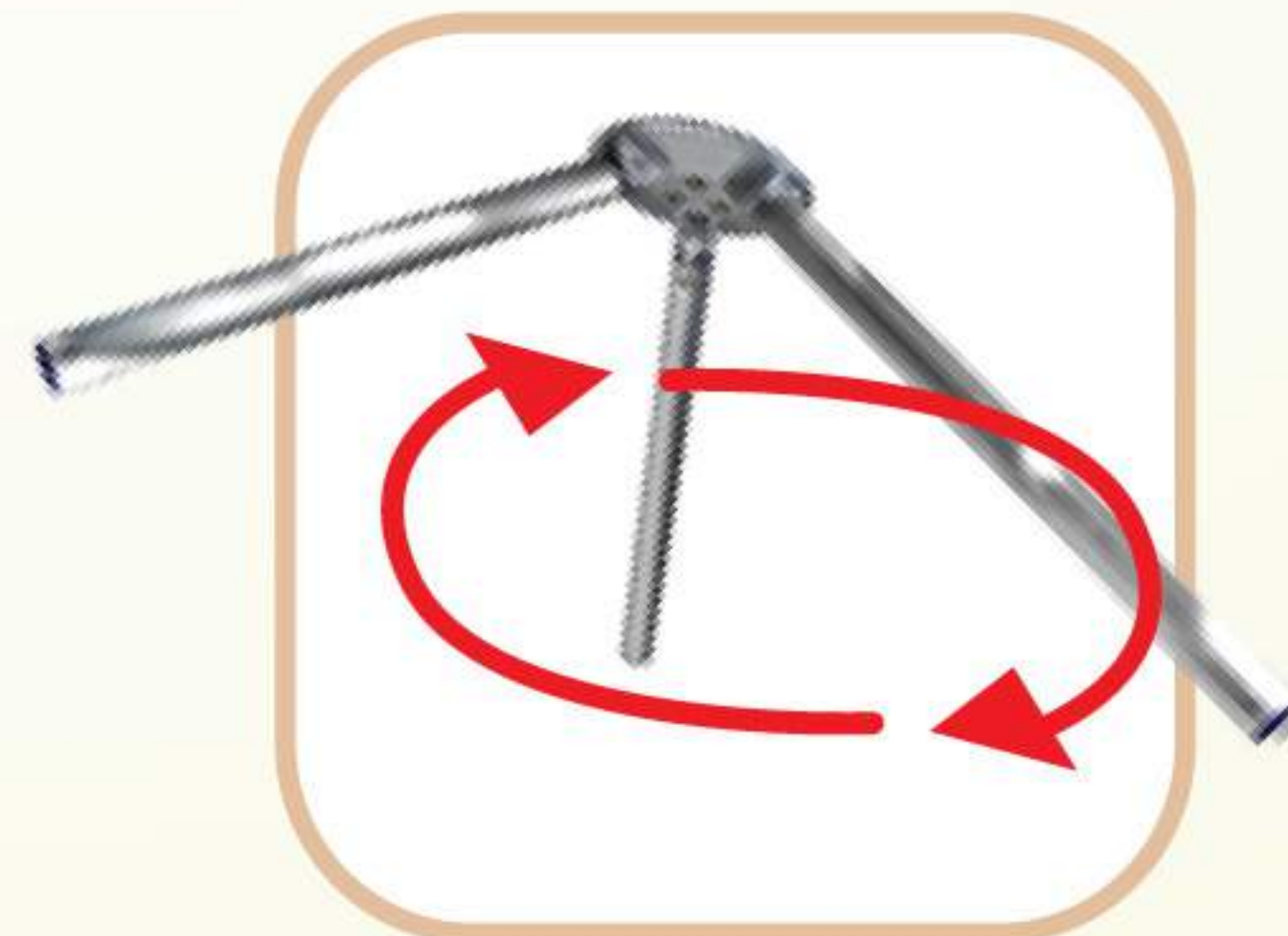
Turnstile will automatically lock back after auto-close timer has elapsed. Auto-close timer is programmable. This is important to ensure that no person can sneak in when turnstile is opened by mistake.

Safety

In case of emergency or power failure, arm will automatically drop down allowing rapid escape of people inside the building. Arm will automatically rotate and rise up when power resumes so that your premise returned to secured state as soon as possible.

Easy Maintenance

MAG Unified Compact motor technology allows controller board, motor and gearbox to be built into a single unit for easy future main-tenance and replacement.



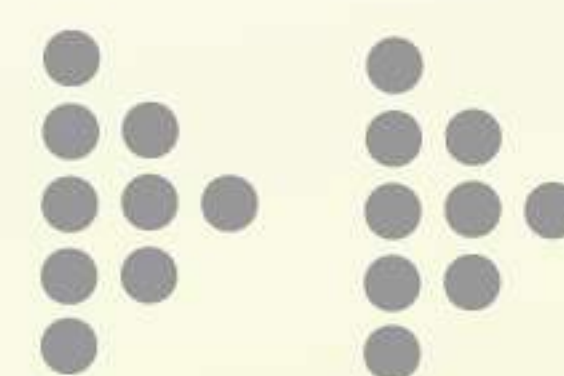
Auto Arm Up

After power resume, arm will rotate to straighthen up



Drop arm

Safe,emergency escape Drop arm during power failure



POWER by



Authorized dealer